

# Multi Purpose Thresher

## VAN 1200



 **ARMADA**

## **VAN, Multi Purpose Thresher**

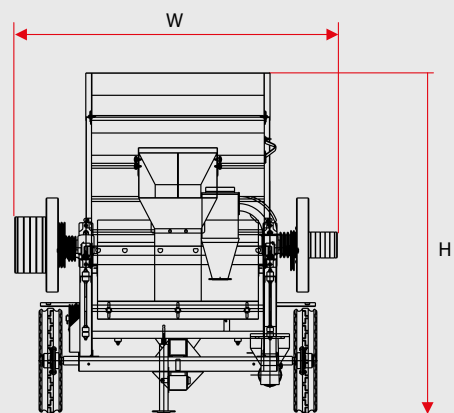
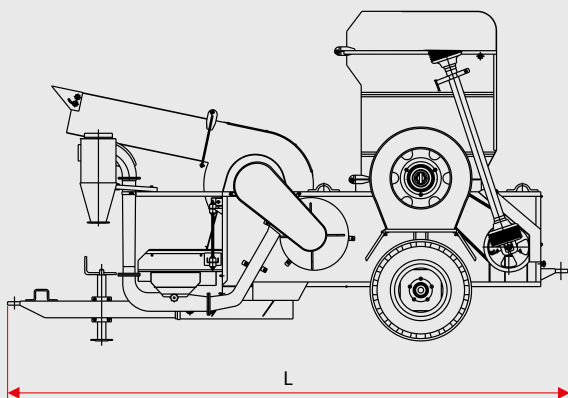
Crop Thresher with Reservory both can work on pulley - belt system by the use or a cardan shaft driven by pto of tractor. It works out wee, barley, oats, and rye and similar products product vely and fast. Our threshers can harvest all kinds of cereals like; wheat, barley, sorghum and others like chickpea ,beans etc. Crop Thresher is suitable for making the stems so small and soft that the animals can be fed easily. With additional apparatuses you also can harvest lentil chickpea, broad bean etc. kind of products too. The proport on of cleaning is app. 99 % and broken seed proportion is 01 %.



**Technical Specifications\*****VAN 1200**

Total Width (W)	mm	2000
Total Length (L)	mm	3850
Total Height (H)	mm	2300
Feeding Beater Size	mm	1200
Beater Knife Pieces	pcs	44
Tire Size		600x16
Beater Cycle	rpm/min	1200
Required Power	hp	35-100
PTO Rotation	rpm	540
Shacking System		Air
Hourly Capacity	kg/hr	2000
Weight	kg	1450

\* Armada reserves rights to change them without notice.





# ARMADA

Agricultural Machinery