

Field Sprayer
AFYON



ARMADA
Command Your Land



Practical Spraying, **Real Growth**

The AFYON Series, developed with Armada's assurance, is a reliable solution for plant health protection practices in modern agriculture. It allows for the proper and consistent application of agricultural inputs used in weed control, pest management, and disease prevention, helping to support crop quality and efficient field operations. With its sturdy design suitable for various field conditions and its practical use, the AFYON Series meets the essential needs of professional farming.

AFYON, 400 LITER SPRAYER TANK, MOUNTED TYPE

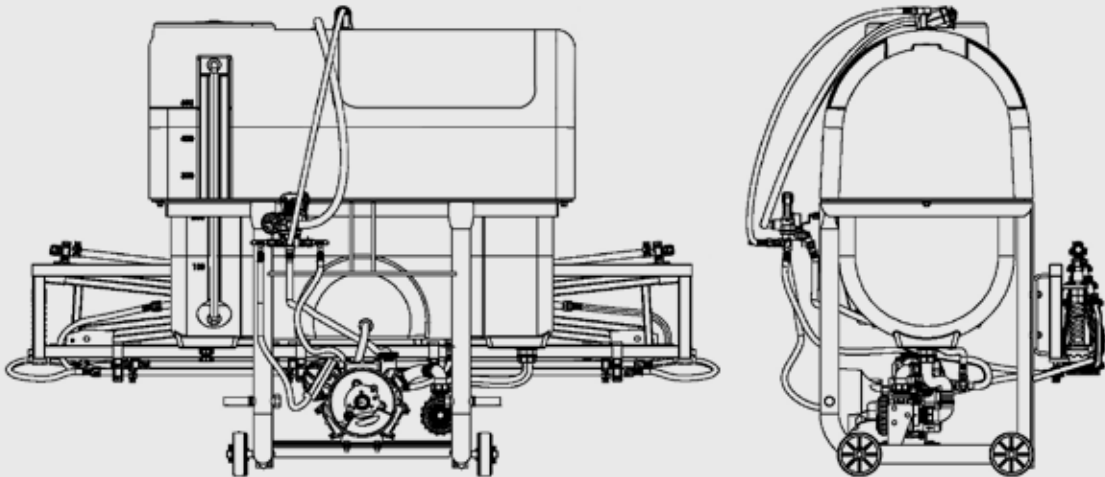
The 400-liter sprayer tank enables efficient and precise application of agricultural chemicals like herbicides, insecticides, and fungicides. Its durable design ensures reliable performance in tough field conditions. Spraying protects crops from pests, weeds, and diseases, supporting healthy growth and better yields.



**Technical
Details*****AFYON 400**

Capacity	lt	400
Total Width	mm	1250
Total Length	mm	850
Total Height	mm	1350
Tank Material	pcs	Polyethylene
Pump Type	lt	80 Lt / 3 membrane
Regulator		303 AR
Painting Type		Static
Boom	mt	10
Boom Options	mt	12

* Armada reserves rights to change them without notice.



AFYON, 600 LITER SPRAYER TANK, MOUNTED TYPE

The 600-liter sprayer tank enables efficient and precise application of agricultural chemicals like herbicides, insecticides, and fungicides. Its durable design ensures reliable performance in tough field conditions. Spraying protects crops from pests, weeds, and diseases, supporting healthy growth and better yields.



OPTION
Tank Cleaning

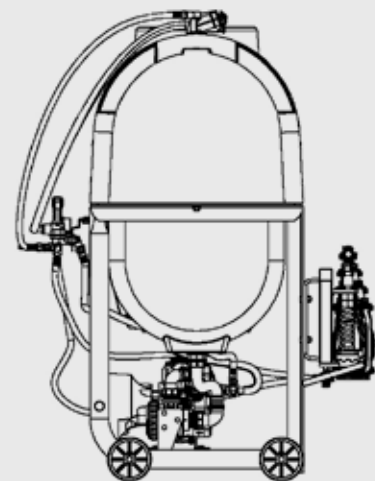
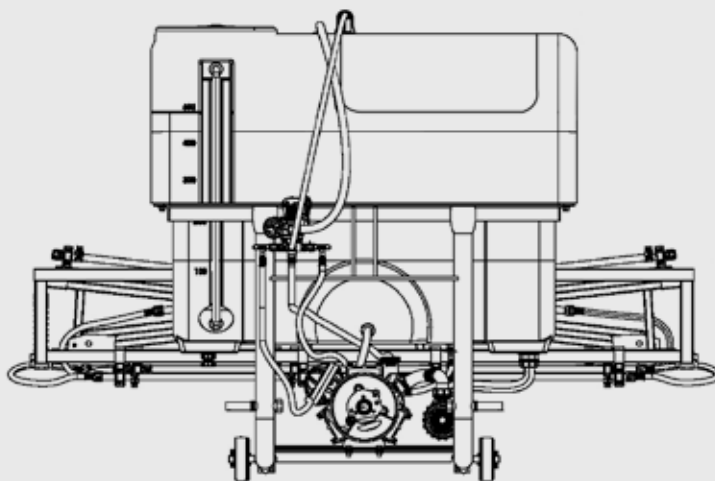


**Technical
Details***

AFYON 600

Capacity	lt	600
Total Width	mm	1300
Total Length	mm	850
Total Height	mm	1520
Tank Material	pcs	Polyethylene
Pump Type	lt	80 Lt / 3 membrane
Regulator		303 AR
Painting Type		Static
Boom	mt	10
Boom Options	mt	12

* Armada reserves rights to change them without notice.



AFYON, 800 LITER SPRAYER TANK, MOUNTED TYPE

The 800-liter sprayer tank enables efficient and precise application of agricultural chemicals like herbicides, insecticides, and fungicides. Its durable design ensures reliable performance in tough field conditions. Spraying protects crops from pests, weeds, and diseases, supporting healthy growth and better yields.



OPTION
Tank Cleaning

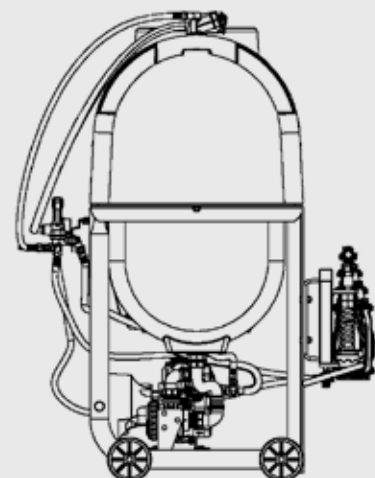
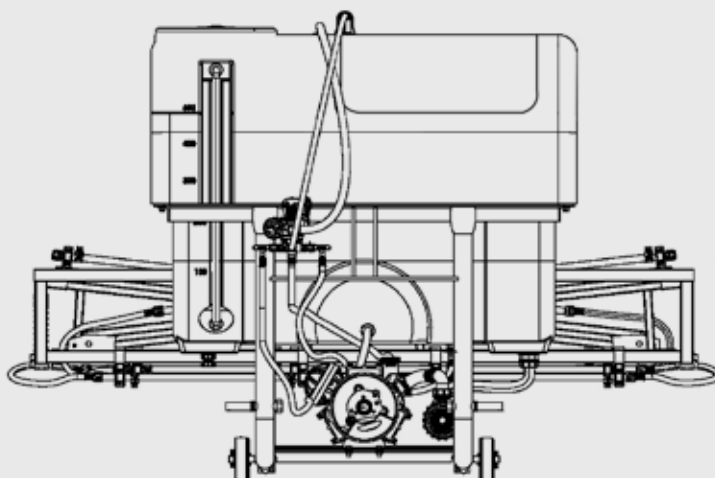


**Technical
Details***

AFYON 800

Capacity	lt	800
Total Width	mm	-
Total Length	mm	-
Total Height	mm	-
Tank Material	pcs	Polyethylene
Pump Type	lt	80 Lt / 3 membrane
Regulator		303 AR
Painting Type		Static
Boom	mt	10
Boom Options	mt	12

* Armada reserves rights to change them without notice.



AFYON, 1000 LITER SPRAYER TANK, MOUNTED TYPE

The 1000-liter sprayer tank enables efficient and precise application of agricultural chemicals like herbicides, insecticides, and fungicides. Its durable design ensures reliable performance in tough field conditions. Spraying protects crops from pests, weeds, and diseases, supporting healthy growth and better yields.

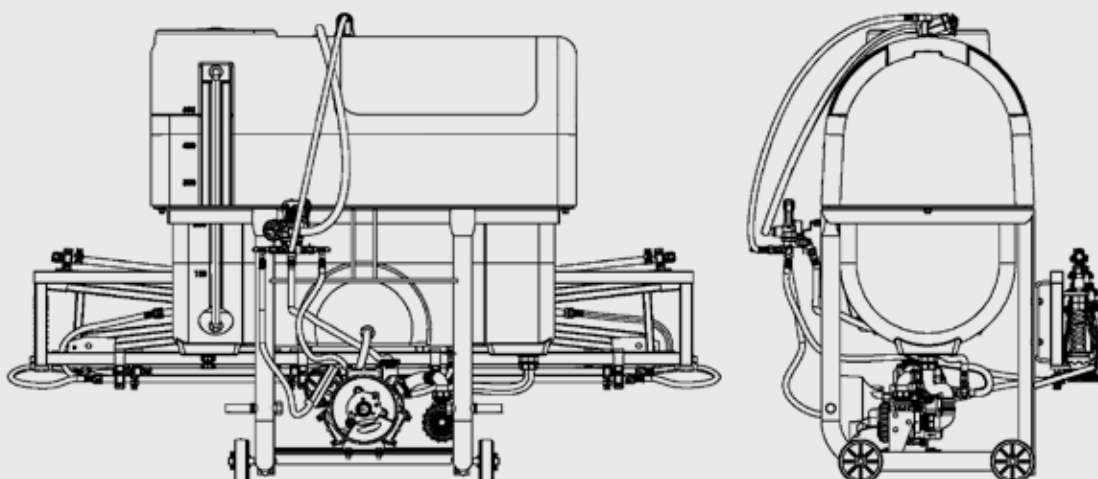


OPTION Tank Cleaning



Technical Details*		AFYON 1000
Capacity	lt	1000
Total Width	mm	-
Total Length	mm	-
Total Height	mm	-
Tank Material	pcs	Polyethylene
Pump Type	lt	80 Lt / 3 membrane
Regulator		303 AR
Painting Type		Static
Boom	mt	10
Boom Options	mt	12

* Armada reserves rights to change them without notice.



OPTIONS



Part Name	Single Plastic
Code	110.11.20



Part Name	Triple Plastic
Code	110.11.22



Part Name	Quadr Plastic
Code	110.11.23



Part Name	OSR 50-3
Code	110.26.40



Part Name	Hose Blue 90 Bar
Code	110.31.06

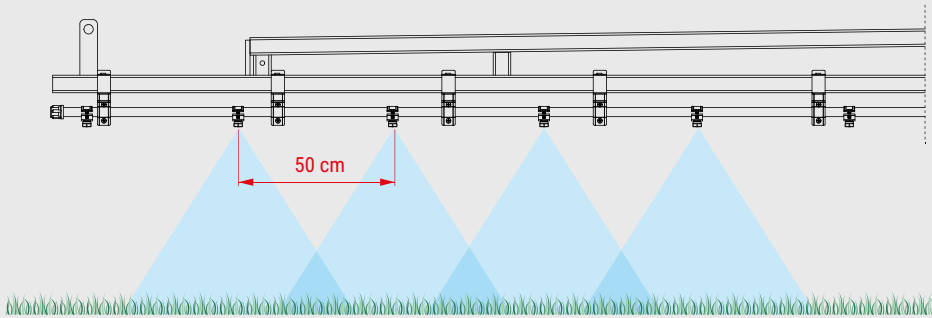


Part Name	Hose Reel
Code	110.31.05



Part Name	Short Gun
Code	110.31.01

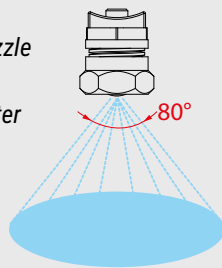
Distance Between Nozzles



Nozzle Spraying Types

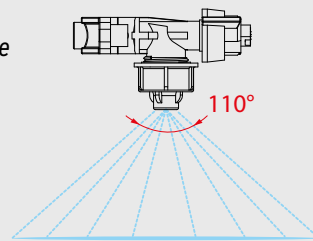
Chonic Brass Nozzle

Plate hole diameter
1.2 mm
1.5 mm

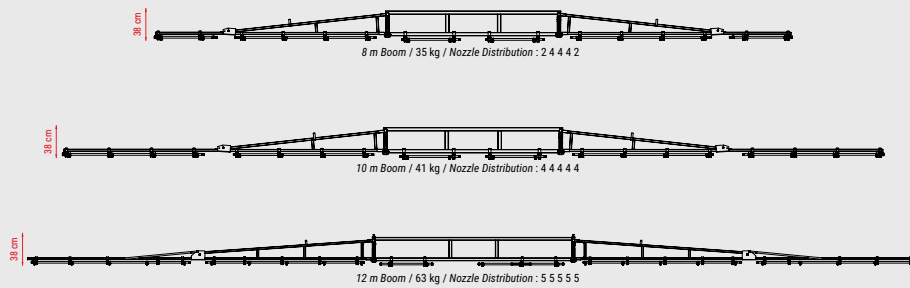


Curtain Spray Nozzle

Plate hole diameter
1.0 mm
1.2 mm
1.5 mm
2.0 mm
3.0 mm
4.0 mm



Boom Types



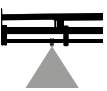

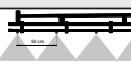
Spraying Norm Table for Conical Brass Nozzle

Hole Diameter (mm)*	Working Speed (km/h)	Pressure (bar)	Average Flow (lt/min)**	Spraying Norm (lt/ha)
1,2	5	4	0,44	194,4
1,2	6	4	0,44	162
1,2	7	4	0,44	138,9
1,2	8	4	0,44	121,5
1,2	10	4	0,44	97,2
1,2	12	4	0,44	81
1,2	14	4	0,44	69,4
1,2	16	4	0,44	60,8
1,2	18	4	0,44	54
1,2	5	6	0,93	223,2
1,2	6	6	0,93	186
1,2	7	6	0,93	159,4
1,2	8	6	0,93	139,5
1,2	10	6	0,93	111,6
1,2	12	6	0,93	93
1,2	14	6	0,93	79,7
1,2	16	6	0,93	69,8
1,2	18	6	0,93	62
1,2	5	8	1,1	264
1,2	6	8	1,1	220
1,2	7	8	1,1	185,6
1,2	8	8	1,1	165
1,2	10	8	1,1	132
1,2	12	8	1,1	110
1,2	14	8	1,1	94,3
1,2	16	8	1,1	82,5
1,2	18	8	1,1	73,3

* This symbol represents hole diameter for standard booms.

** This symbol represents average flow which is measured a nozzle.

Spraying Norm Table for T-Jet Nozzle

	 BAR	l/min	 l/ha								
			5.0 km/h	6.0 km/h	7.0 km/h	8.0 km/h	10.0 km/h	12.0 km/h	14.0 km/h	16.0 km/h	18.0 km/h
ST 110-01 80-01 (80 M)	2.0	0.32	77	64	55	48	38	32	27	24	21
	2.5	0.36	86	72	62	54	43	36	31	27	24
	3.0	0.39	94	78	67	59	47	39	33	29	26
	4.0	0.45	108	90	77	68	54	45	39	34	30
	5.0	0.51	122	102	87	77	61	51	44	38	34
ST 110-015 80-015 (80 M)	2.0	0.48	115	96	82	72	58	48	41	36	32
	2.5	0.54	130	108	93	81	65	54	46	41	36
	3.0	0.59	142	118	101	89	71	59	51	44	39
	4.0	0.68	163	136	117	102	82	68	58	51	45
	5.0	0.76	182	152	130	114	91	76	65	57	51
ST 110-02 80-02 (60 M)	2.0	0.65	156	130	111	98	78	65	56	49	43
	2.5	0.73	175	146	125	110	88	73	63	55	49
	3.0	0.80	192	160	137	120	96	80	69	60	53
	4.0	0.92	221	184	158	138	110	92	79	59	61
	5.0	1.03	247	206	177	155	124	103	88	77	69
SC 110-025 (60 M)	2.0	0.81	194	162	139	122	97	81	69	61	54
	2.5	0.91	218	182	156	137	109	91	78	68	61
	3.0	0.99	238	198	170	149	119	99	85	74	66
	4.0	1.15	276	230	197	173	138	115	99	86	77
	5.0	1.28	307	256	219	192	154	128	110	96	85
SC/ST 110-032 80-03 (60 M)	2.0	0.97	233	194	166	146	116	97	83	73	65
	2.5	1.08	259	216	185	162	130	108	93	81	72
	3.0	1.19	286	238	204	179	143	119	102	89	79
	4.0	1.37	329	274	235	206	164	137	117	103	91
	5.0	1.53	367	306	262	230	184	153	131	115	102
SC/ST 110-04 80-04 (60 M)	2.0	1.29	310	258	221	194	155	129	111	97	86
	2.5	1.44	346	288	247	216	173	144	123	108	96
	3.0	1.58	379	316	271	237	190	158	135	119	105
	4.0	1.82	437	364	312	273	218	182	156	137	121
	5.0	2.04	490	408	350	306	245	204	175	153	136
SC/ST 110-05 80-05 (25 M)	2.0	1.61	386	322	276	242	193	161	138	121	107
	2.5	1.80	432	360	309	270	216	180	154	135	120
	3.0	1.97	473	394	338	296	236	197	169	148	131
	4.0	2.28	547	456	391	342	274	228	195	171	152
	5.0	2.55	612	510	437	383	306	255	219	191	170
SC/ST 110-06 80-06 (25 M)	2.0	1.93	463	386	331	290	232	193	165	145	129
	2.5	2.16	516	432	370	324	259	216	185	162	144
	3.0	2.36	566	472	405	354	283	236	202	177	157
	4.0	2.73	655	546	468	410	328	273	234	205	182
	5.0	3.05	732	610	523	458	366	305	261	229	203
SC/ST 110-05 80-05 (25 M)	2.0	2.58	619	516	442	387	310	258	221	194	172
	2.5	2.88	691	576	494	432	346	288	247	216	192
	3.0	3.16	758	632	542	474	379	316	271	237	211
	4.0	3.65	876	730	626	548	438	365	313	274	243
	5.0	4.08	979	816	699	612	490	408	350	306	272



ARMADA

Agricultural Machinery