

**Chisel Plough**  
HATAY / HATAY R



 **ARMADA**

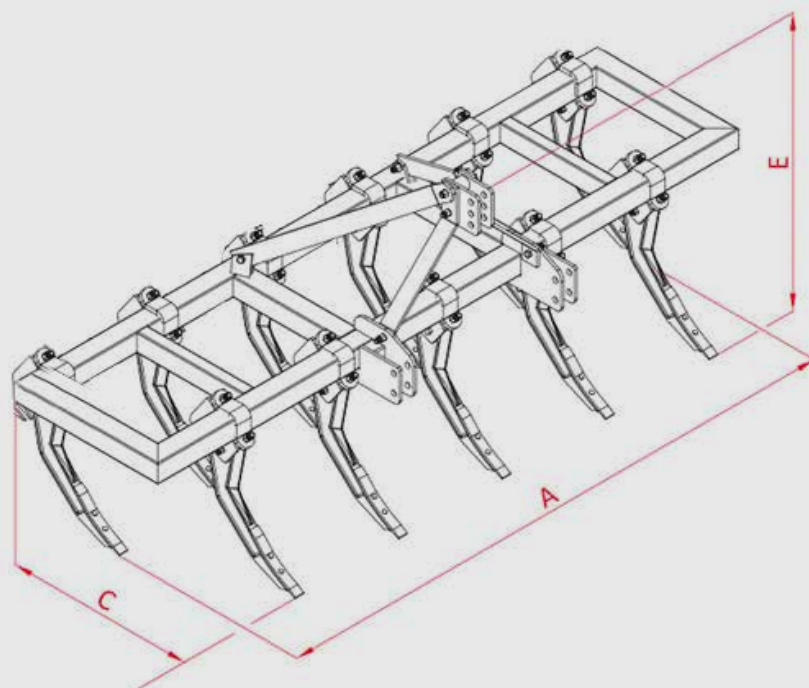
## HATAY, Chisel Plough Without Roller

The primary soil tillage machine is mounted from tractor's hydraulic lifting unit and universal three point linkage system. Therefore transportation to the field can be easily done. Hard ground is composed under 25-40 cm depth below the field that plowed with standard ploughs. Chisel plough breaks the hard bottom of soil under 25-40 cm with long and angled tines. So that rain and irrigation water can reach easily to broken area and provided the water storage. Above the soil is less open because of the slim structure of the tines. So that the moisture can be kept for long time and also wind and erosion are decreased.



Technical Specifications*	Unit	HATAY 5	HATAY 7	HATAY 9	HATAY 11	HATAY 13	HATAY 15	HATAY 17
Number of Tines	pcs	5	7	9	11	13	15	17
Working Width (A)	mm	1280	1910	2350	2890	3410	3910	4410
Lenght Without Roller (C)	mm	1100			1200			
Total Height (E)	mm	1330						
Frame Size	mm	100 X 100 X 80						
Minimum Required Power	hp	60-70	70-80	80-90	90-100	100-110	110-120	120-130
Weight	kg	400	450	560	700	850	1050	1200

\* Armada reserves rights to change them without notice.



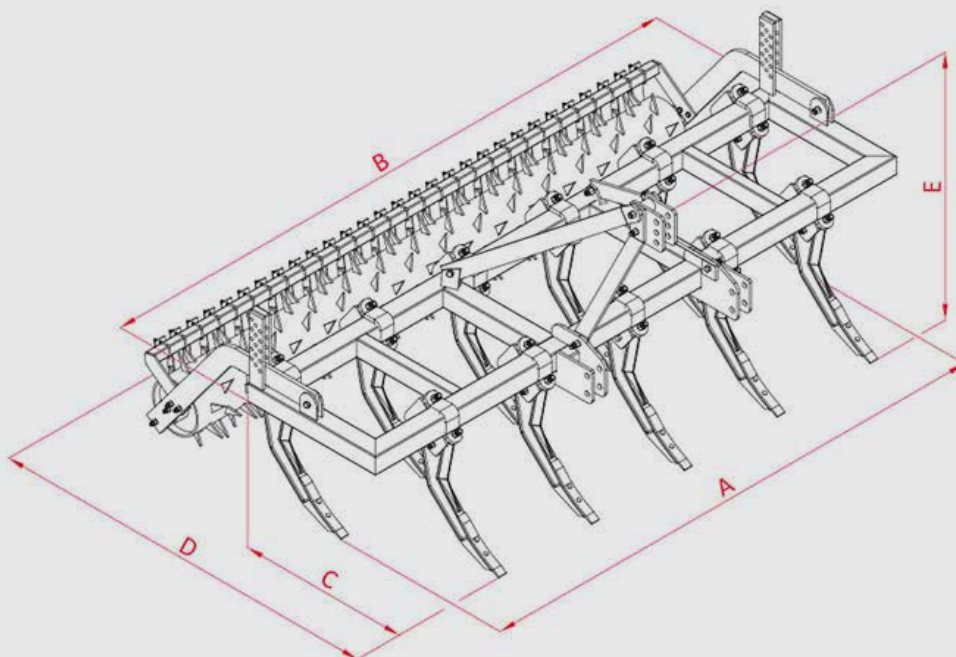
## HATAY-R, Chisel Plough With Roller

The primary soil tillage machine is mounted from tractor's hydraulic lifting unit and universal three point linkage system. Therefore transportation to the field can be easily done. Hard ground is composed under 25-40 cm depth below the field that plowed with standard ploughs. Chisel plough breaks the hard bottom of soil under 25-40 cm with long and angled tines. So that rain and irrigation water can reach easily to broken area and provided the water storage. Above the soil is less open because of the slim structure of the tines. So that the moisture can be kept for long time and also wind and erosion are decreased.



Technical Specifications*	Unit	HATAY-R 5	HATAY-R 7	HATAY-R 9	HATAY-R 11	HATAY-R 13	HATAY-R 15	HATAY-R 17
Number of Tines	pcs	5	7	9	11	13	15	17
Working Width (A)	mm	1280	1910	2350	2890	3410	3910	4410
Length With Roller (D)	mm	1870		1970				
Total Height (E)	mm	1330						
Frame Size	mm	100 X 100 X 80						
Minimum Required Power	hp	60-70	70-80	80-90	90-100	100-110	110-120	120-130
Weight	mm	565	650	800	970	1160	1375	1590

\* Armada reserves rights to change them without notice.









**ARMADA**

Agricultural Machinery