

Land Leveller
LB



ARMADA
Command Your Land

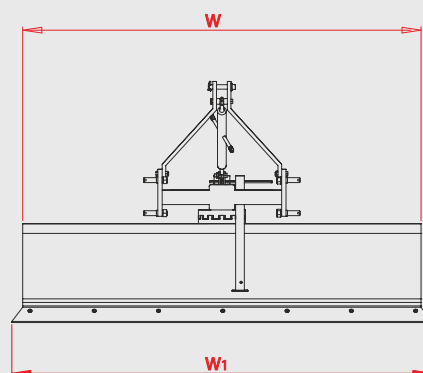
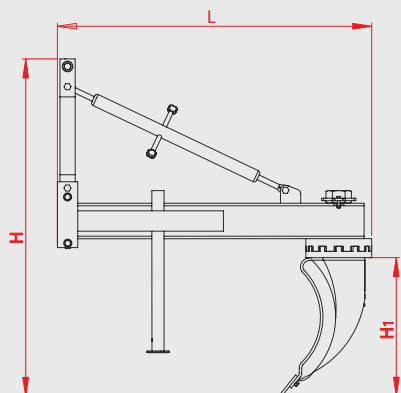
LB, Land Leveller

Armada Levelling Blades are mounted to tractors by three point linkage system. These Levelling Blades can be used in various purposes like making a field way, land levelling, opening ditches and filling. By the help of their 360° working angle they can be used in different directions. Blades are produced from special steel to prevent corrosion and breakings. Also both sides of these removable blades can be used.



Technical Specifications*	Unit	LB 200	LB 220	LB 250
Total Width (W)	mm	2000	2200	2500
Total Length (L)	mm	1400	1400	1400
Total Height (H)	mm	1100	1100	1100
Working Depth (max)	mm	500	500	500
Working Width (W1)	mm	2120	2320	2620
Turning Angle	°	360	360	360
Required Power	hp	30-40	45-50	70-80
Total Weight	kg	190	210	260

* Armada reserves rights to change them without notice.





ARMADA

Agricultural Machinery