

Off Set Disc Harrow Trailed Type Wide Serie ADANA



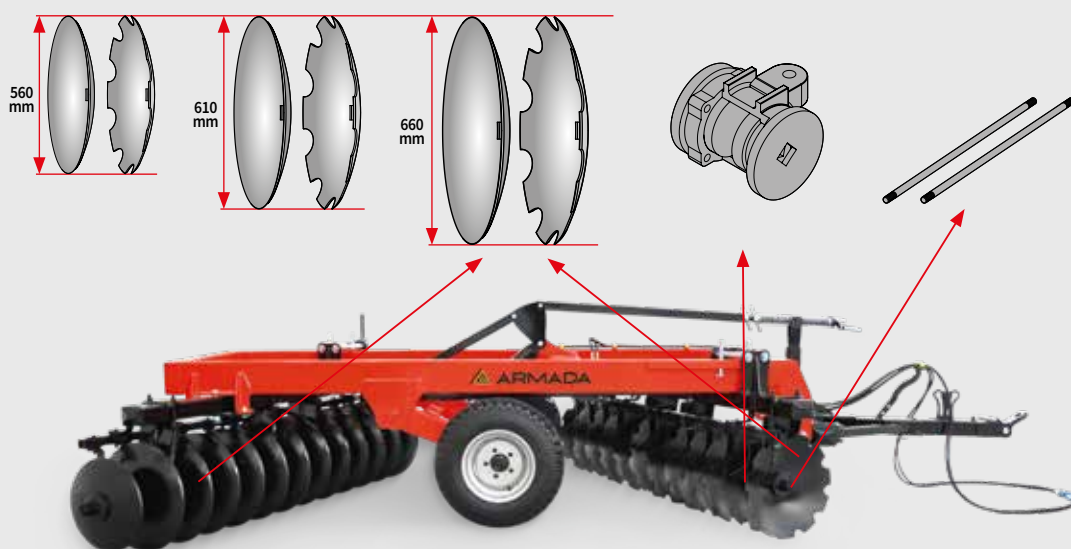
 **ARMADA**

ADANA, Off Set Disc Harrow Trailed Type Wide Serie

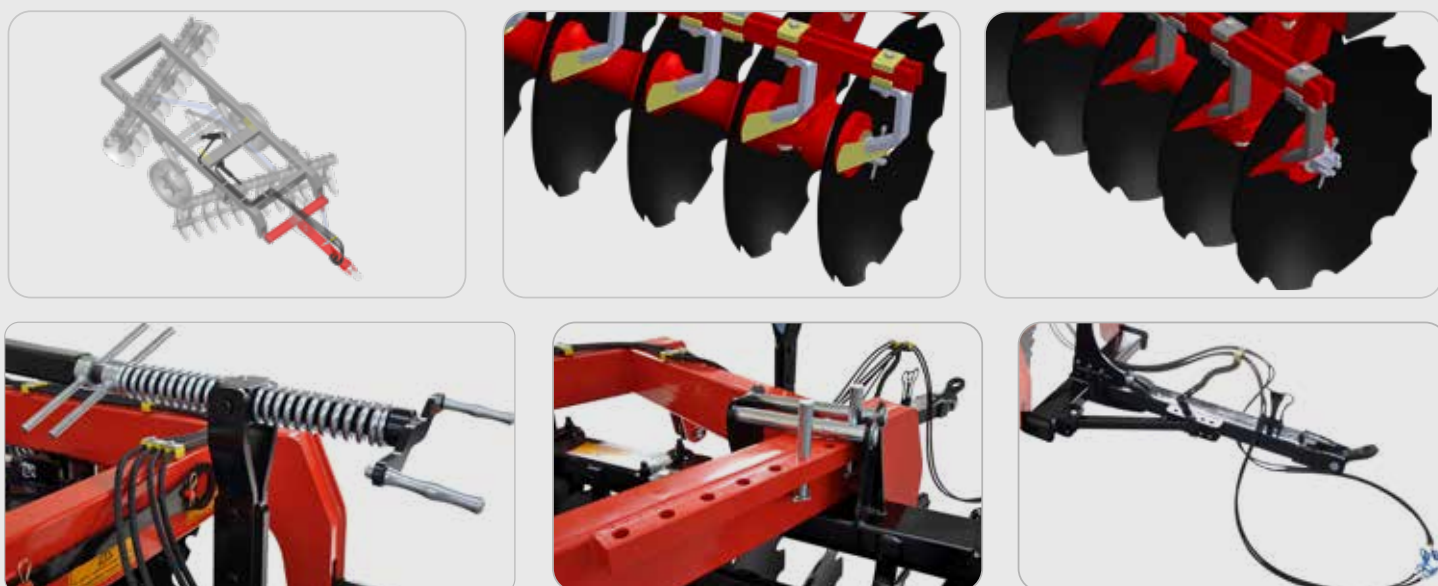
Wide Type Offset Disc Harrows are trailed type on two wheels. It can be easily transported to field. Trailed type wide offset disc harrow moved by hydraulic system for transport and depth adjustment. Wide Type Trailed off set disc harrow with hydraulic lifting system is used for breaking clods and mixing soils to make seed bed. Also it can be used for chopping of weeds and stems, breaking of plant stubbles (such as sunflower, maize, cotton, wheat and etc.) mixing with soil after harvesting and it help to obtained a kind of organic fertilizer.



This kind of disc harrow can work very easily in wet soils and according to the soil conditions it can be used instead of plough. Battery angle can be arranged till 20-22 degree. Tires moved standard level and easily adjusted the working depth by means of the axle mechanism on the tire. After harvesting, in dry months this disc harrow can be used for preparing the soils directly to sow up to 27,5 cm depending disc size used. Size of frame for this model is 100x200 mm and The number of discs is between 16-42 disc with sizes; 560/610/660 mm high quality 52 HRC boron steel. It has been used house bearings with conical bearings one side and ball bearing other side with high quality seals. It can be greaseable.

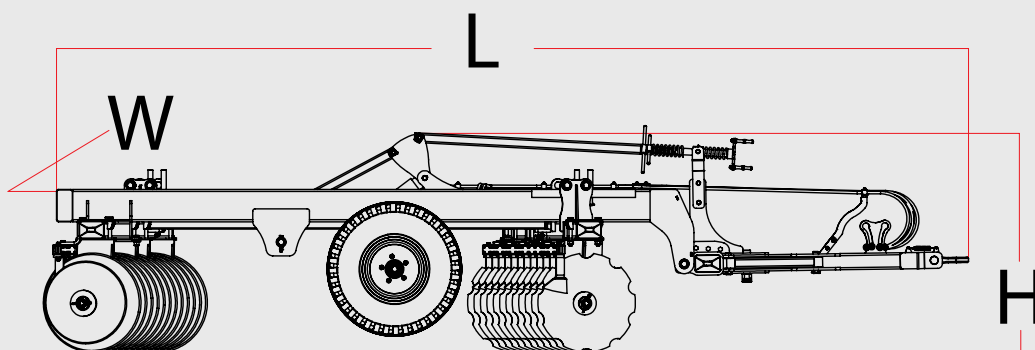


Wide Offset Disc Harrows are trailed type on two wheel. It can be easily transported to field. Trailed type wide offset disc harrow moved by hydraulic system for transport and depth adjustment. Wide Trailed off set disc harrow with hydraulic lifting system is used for breaking clods and mixing soils to make seed bed. Also it can be used for chopping of weeds and stems, breaking of plant stubbles (such as sunflower, maize, cotton, wheat and etc.) mixing with soil after harvesting and it help to obtained a kind of organic fertilizer.



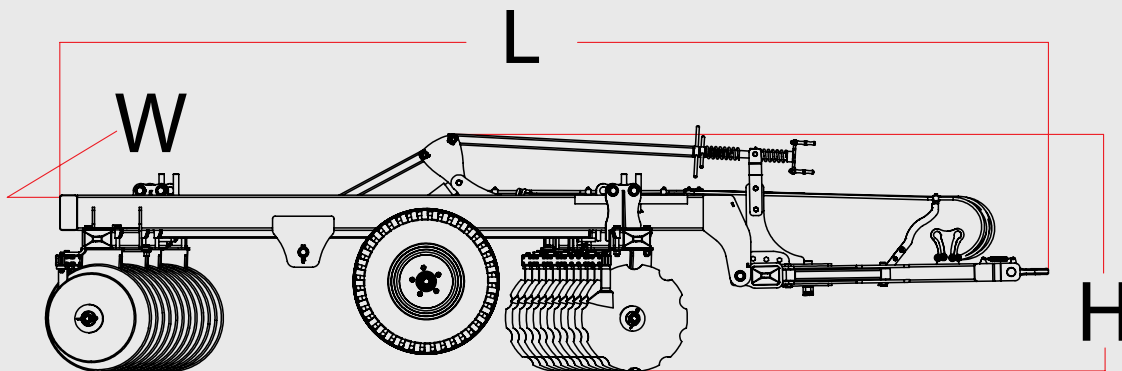
Technical Specifications*	Unit	ADANA 1856	ADANA 2056	ADANA 2256	ADANA 2456	ADANA 2656	ADANA 2856	ADANA 3056	ADANA 3256	ADANA 3456	ADANA 3656
Number of Disc	pcs	18	20	22	24	26	28	30	32	34	36
Disc Diameter	mm	560x4,5 / 610 x4,5									
Space Between Discs	mm	220									
Number of Bearing	pcs	8	8	8	8	8	8	12	12	12	12
Total Width (W)	mm	2260	2515	2765	3020	3280	3600	3810	3700	3900	4100
Length (L)	mm	5650									
Height (H)	mm	1310									
Working Width	mm	1980	2200	2420	2640	2860	3080	3300	3520	3740	3960
Working Depth (Max.)	mm	200-220									
Frame Size	mm	200x100									
Required Power	hp	65-70	75-80	85-90	90-95	100-105	105-110	110-120	130-140	140-150	150-160
Weight	kg	1400	1500	1550	1600	1700	1750	1900	2000	2050	2150

* Armada reserves rights to change them without notice.



Technical Specifications*	Unit	ADANA 1866	ADANA 2066	ADANA 2266	ADANA 2466	ADANA 2666	ADANA 2866	ADANA 3066	ADANA 3266	ADANA 3466	ADANA 3666
Number of Disc	pcs	18	20	22	24	26	28	30	32	34	36
Disc Diameter	mm	660x6									
Space Between Discs	mm	220									
Number of Bearing	pcs	8	8	8	8	8	8	12	12	12	12
Width (W)	mm	2260	2515	2765	3020	3280	3600	3810	3700	3900	4100
Length (L)	mm	5650									
Height (H)	mm	1410									
Working Width	mm	1980	2200	2420	2640	2860	3080	3300	3520	3740	3960
Working Depth (Max.)	mm	200-220									
Frame Size	mm	200x100									
Required Power	hp	75-85	85-90	95-100	100-105	110-115	115-120	120-130	140-150	150-160	160-170
Weight	kg	1580	1700	1770	1840	1960	2030	2200	2320	2390	2510

* Armada reserves rights to change them without notice.



ADANA, Off Set Disc Harrow Trailed Type Foldable Wide Serie

Wide Type Offset Disc Harrows are trailed type on two wheels. It can be easily transported to field. Trailed type wide offset disc harrow moved by hydraulic system for transport and depth adjustment. Wide Type Trailed off set disc harrow with hydraulic lifting system is used for breaking clods and mixing soils to make seed bed. Also it can be used for chopping of weeds and stems, breaking of plant stubbles (such as sunflower, maize, cotton, wheat and etc.) mixing with soil after harvesting and it help to obtained a kind of organic fertilizer.



Technical Specifications*	Unit	ADANA 4056	ADANA 4456	ADANA 4856	ADANA 5256	ADANA 5656	ADANA 6056	ADANA 6456
Number of Disc	pcs	40	44	48	52	56	60	64
Disc Diameter	mm	560x4,5 / 610x4,5						
Space Between Discs	mm	220						
Number of Bearing	pcs	16	16	16	16	16	20	20
Total Width (W)	mm	3500						
Length (L)	mm	6000						
Height (H)	mm	1500						
Working Width	mm	4300	4800	5300	5800	6300	6800	7300
Working Depth (Max.)	mm	200-220						
Frame Size	mm	200x100						
Required Power	hp	150-180	170-200	190-210	210-240	230-260	250-280	280-320
Weight	kg	3500	3650	3800	4000	4300	4500	4800

* Armada reserves rights to change them without notice.



EASY SIDE ANGLE ADJUST

We can use a perforated mechanism on the chassis that affects the directional angles. In this way, we can adjust the directional angles of the disks that affect the depth of work and the shredding feature.

This adjustment can be made hydraulically controlled according to customer demand.



BEARING HUBS

Bearing hubs and covers, which are connected to the chassis with a durable foot, are precision manufactured as special castings. It can resist resistances in working in the ground and offers a problem-free operation.



ADJUSTABLE SCRAPER

The scrapers, which are our special production, are formed in steel blade body and end iron in the form suitable for the concavity of the disc. With its robust structure, it can work smoothly in all kinds of soil conditions.



ARMADA

Agricultural Machinery