

MECHANICAL PLANTER

EFES - EFES F



ARMADA
Command Your Land



EFES F
Mechanical Planter With Fertilizer



EFES

Mechanical Planter Without Fertilizer

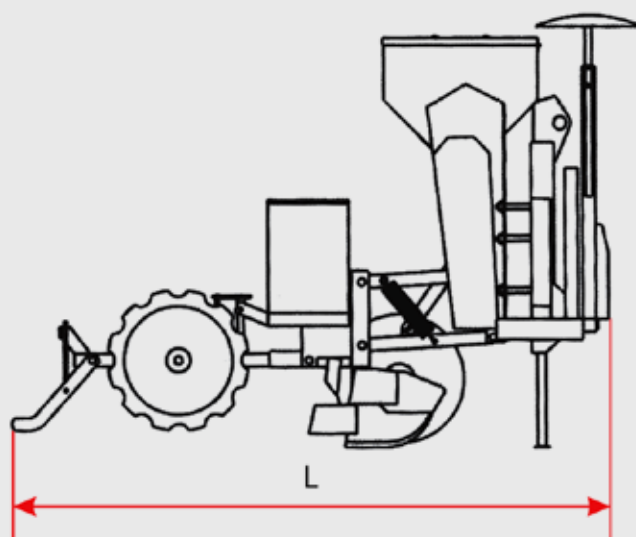
EFES F, Mechanical Planter With Fertilizer

Mechanical planter can be used for precise seeding. Different type of seeds like corn, sun flower, cotton, sugar beet, soybean, peanut, and chickpea can be sowed on single row with this machine on every kind of cultivated soil. Mechanical planter is operated with hydraulic lifting lever and universal three point linkage system. Machine can be transported easily to the field.



Technical Specifications*	Unit	EFES F 2	EFES F 4	EFES F 5	EFES F 6	EFES F 8
Number of Rows	pcs	2	4	5	6	8
Total Width (W)	mm	1700	2550	3200	4200	6000
Total Length (L)	mm	1800	1800	1800	1800	1800
Total Height (H)	mm	1300	1300	1300	1300	1300
Working Depth	mm	0-100	0-100	0-100	0-100	0-100
Fertilizer Hopper Capacity	kg	130	110x2	110x2	135x2	300x2
Seed Hopper Capacity	dm ³	15.2x2	15.2x4	15.2x5	15.2x6	30x8
Space Between Units	mm	350x750	350x750	350x750	350x750	350x750
Working Speed	km/h	7-9	7-9	7-9	7-9	7-9
Required Power	hp	30-35	45-50	55-60	65-70	75-80
Total Weight	kg	493	845	925	1024	1370

* Armada reserves rights to change them without notice.



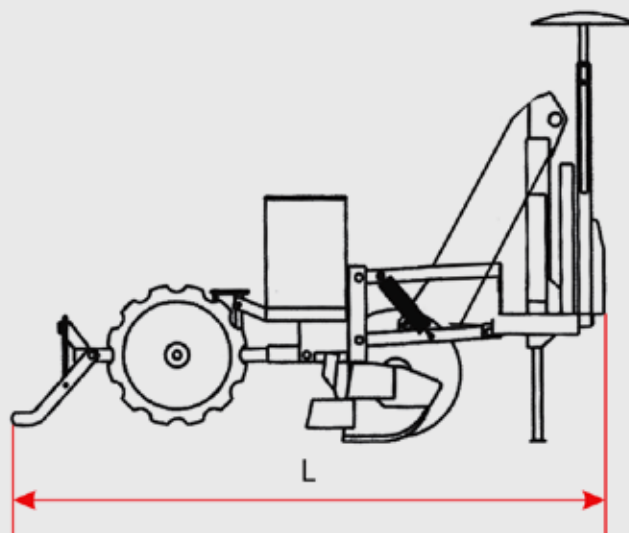
EFES, Mechanical Planter Without Fertilizer

Mechanical planter can be used for precise seeding. Different type of seeds like corn, sun flower, cotton, sugar beet, soybean, peanut, and chickpea can be sowed on single row with this machine on every kind of cultivated soil. Mechanical planter is operated with hydraulic lifting lever and universal three point linkage system. Machine can be transported easily to the field.



Technical Specifications*	Unit	EFES 2	EFES 4	EFES 5	EFES 6	EFES 8
Number of Rows	pcs	2	4	5	6	8
Total Width (W)	mm	1700	2550	3200	4200	6000
Total Length (L)	mm	1800	1800	1800	1800	1800
Total Height (H)	mm	1300	1300	1300	1300	1300
Working Depth	mm	0-100	0-100	0-100	0-100	0-100
Seed Hopper Capacity	dm ³	15.2x2	15.2x4	15.2x5	15.2x6	30x8
Space Between Units	mm	350x750	350x750	350x750	350x750	350x750
Working Speed	km/h	7-9	7-9	7-9	7-9	7-9
Required Power	hp	30-35	45-50	55-60	65-70	75-80
Total Weight	kg	380	620	700	800	920

* Armada reserves rights to change them without notice.





ARMADA

Agricultural Machinery