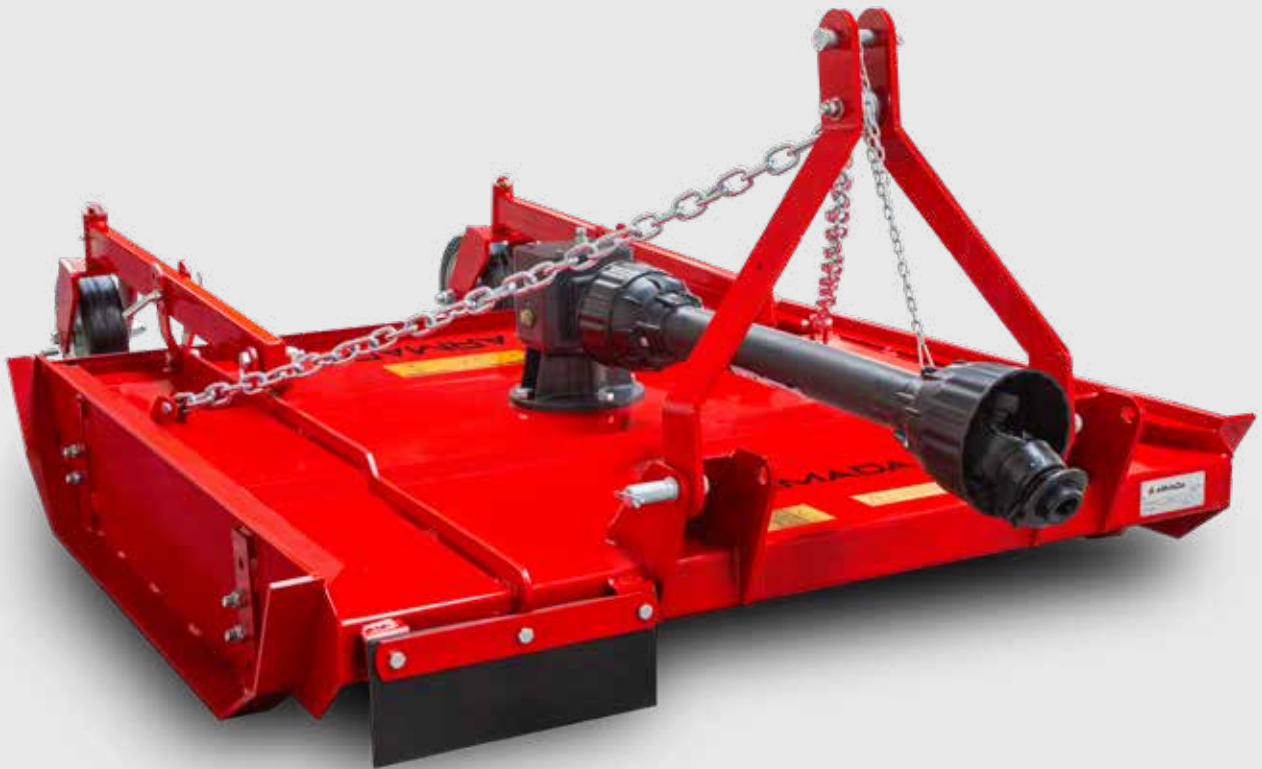


Horizontal Straw Chopper

KARS



ARMADA
Command Your Land

KARS, Horizontal Straw Chopper with Tyre

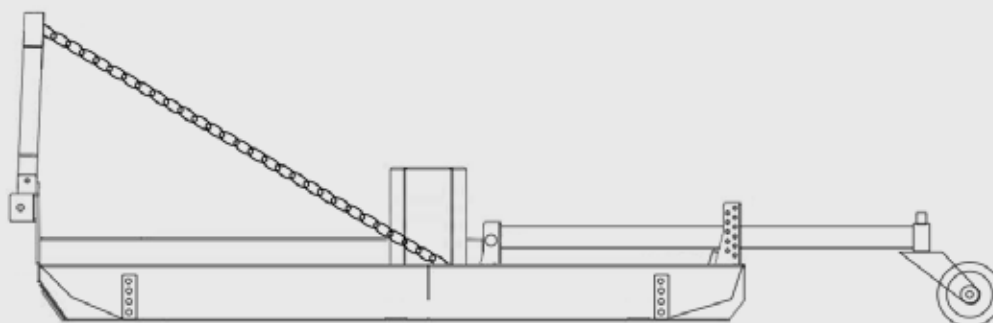
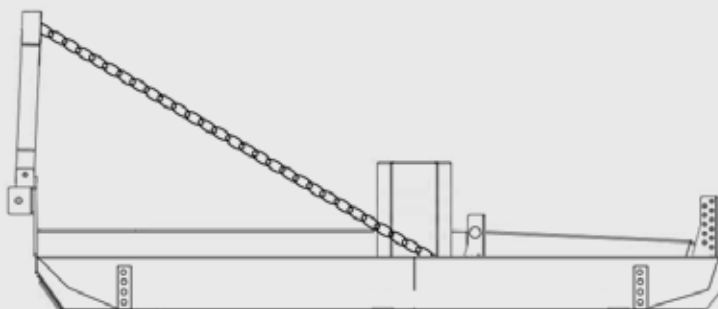
Straw chopping is the process of cutting post-harvest crop residues such as stalks, straw, and similar plant materials into small pieces. This process facilitates easier soil cultivation and accelerates the decomposition of organic matter. The horizontal type straw chopping unit (Horizontal Straw Chopper) cuts the residues using horizontally rotating blades and distributes them evenly across the soil. This system is especially effective after the harvest of crops such as corn, wheat, and sunflower.



**Technical
Details*****KARS 120****KARS 150****KARS 180**

| | | | | |
|--------------------|-----|------|------|------|
| Number of Blade | pcs | 3 | 3 | 3 |
| Overall Width | mm | 1285 | 1650 | 1930 |
| Working Width | mm | 1150 | 1457 | 1776 |
| Overall Length (L) | mm | 1550 | 1760 | 2120 |
| Length with Tyre | mm | 2350 | 2560 | 2920 |
| Height | mm | 1030 | 1030 | 1030 |
| PTO Rotation | rpm | | 540 | |

* Armada reserves rights to change them without notice.





ARMADA

Agricultural Machinery