

Round Frame Disc Plough

URFA



ARMADA
Command Your Land

URFA, Disc Plough, Round Type, Mounted Type

This machine is mounted to tractor's hydraulic lifting unit and universal three point linkage system. Round frame disc plough is manufactured with 170x7 mm round frame. 660x6 mm diameter discs are made with 50-52 rh hardness corrosion-proof steel and resistance to cracking. The discs can be adjusted according to the soil conditions by means of position and direction angle. Disc ploughs have different features from moldboard ploughs. Due to rotational movement of the discs, the tractor tows the machine easily and enables fuel saving. Round frame disc ploughs are used for cultivating of stubbly and fallowing soil, mulching the soil, preparing the seed bed, controlling the weeds and diseases, putting the fertilizer, herbicide and stubble in the soil, decreasing the wind and water erosion and leaving the rainwater on the field.



Technical Details*		URFA 2	URFA 3	URFA 4	URFA 5	URFA 6
Number of Disc	pcs	2	3	4	5	6
Total Width (W)	mm	1115	1265	1420	1570	1720
Total Length (L)	mm	1560	2130	2520	2910	3300
Total Height (H)	mm	1235	1235	1235	1235	1235
Working Width	mm	660	990	1320	1650	1980
Working Depth	mm	250	250	250	250	250
Space Between Bodies (B)	mm	530	530	530	530	530
Dia of Disc	mm	660	660	660	660	660
Category		I	II	II	II	II-III
Required Power	hp	35-40	55-60	70-80	85-90	100-110
Total Weight	kg	290	390	450	520	590

* Armada reserves rights to change them without notice.



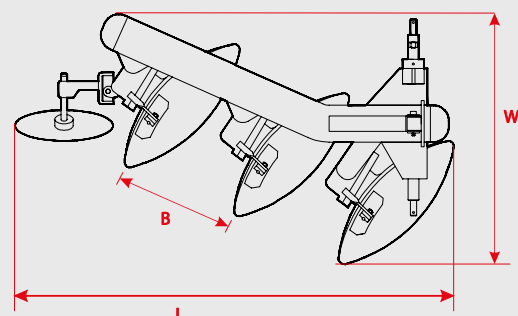
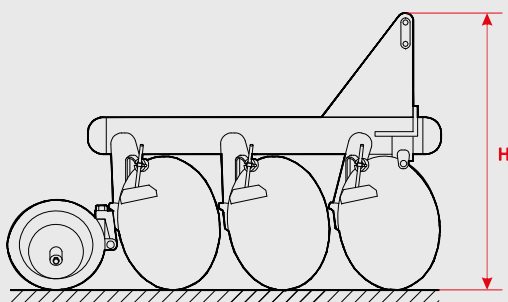
Mud Scraper
Adjustable mud scrapers are placed in the machines so as to prevent accumulation of the mud.



Furrow wheel



Position Angle
Disc has two positions, one of them is direction angle and the other one is position angle. Position angle is adjusted from the slots on disc brackets.





ARMADA

Agricultural Machinery