

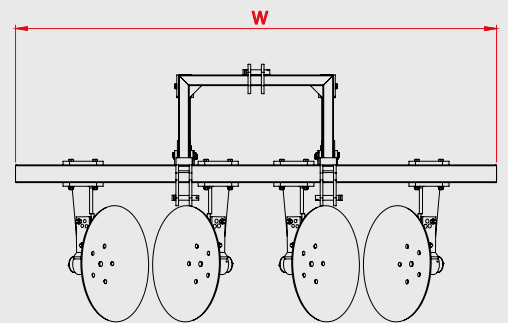
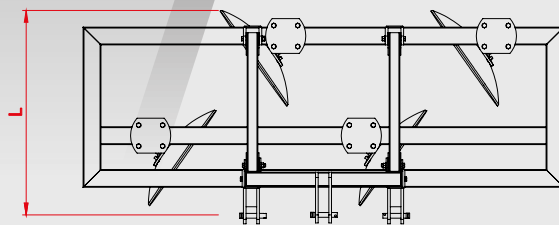
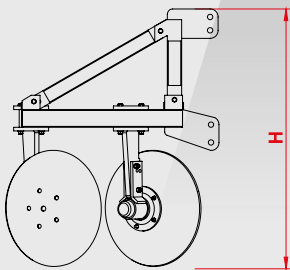
Disc Ridger
KARAMAN 466



 **ARMADA**

KARAMAN 466, Disc Ridger

These Ridgers are mounted to tractor's hydraulic arms and linkage system. So it is very easy to transport these ridgers to field. These machines are used for making one and two rows ridgers and opening canal. According to user's wishes discs angles can be arranged (0-23°) to make canal or ridge. Also disc connection legs of machine can be arranged 20°-50°. By means of the adjustable legs of machine row spaces of canals and ridges can be adjusted 45-100 cm.



Technical Specifications***KARAMAN 466**

Number of The Disc	pcs	4
Total Width (W)	mm	1150
Total Length (L)	mm	2700
Total Height (H)	mm	1460
Diameter of Disc	mm	660
Working Depth	mm	250
Working Width	mm	1050
Space Between Legs	mm	Adjustment
Required Power	hp	60-70
Weight	kg	410

* Armada reserves rights to change them without notice.





ARMADA

Agricultural Machinery